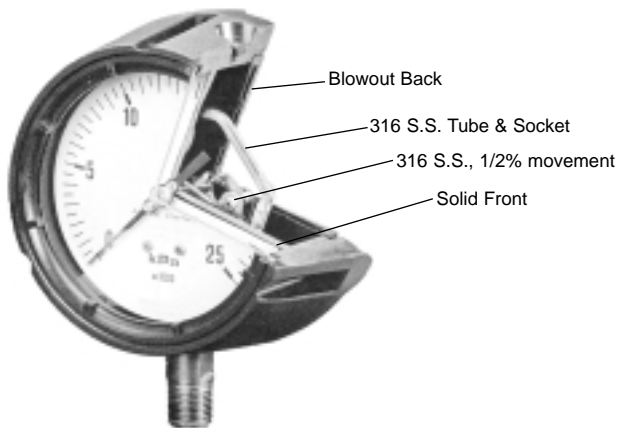


SERIES PT

REOTEMP PRESSURE GAUGES

4 1/2" PROCESS GAUGES



- Solid Front / Blowout Back
- All Stainless Steel Internal Parts
- Micro-Adjustable Pointer
- Glycerine Filled or Dry/Fillable
- Repairable

Specifications

- Case:** Phenolic;
Solid Front, Blowout Back
- Ring:** Fiberglass Reinforced Thermoplastic
Screwed Ring, Removable
- Lens:** Glass
- Dial:** Aluminum, Black Figures on White Background
- Pointer:** Micro-Adjustable, Aluminum, Black
- Wetted Parts:** 316 St. Steel with Restrictor screw
- Temperature:** Ambient: 0 to 150°F (Glycerine Filled)
Process: -30 to 400°F (Dry)
- Accuracy:** 0.5% Full Scale

Applications

Reotemp Series PT Process Gauge is designed to withstand corrosive atmospheres and media, pulsation and vibration; a very rugged gauge engineered for the process industries. The solid front/blowout back provides a high degree of user safety.

HOW TO ORDER

PT — **45** — **P** — **1** — **A** — **4** — **P23** — **G**

Dial: 45 = 4.5"	Case: P = Fiberglass Reinforced Thermoplastic	Tube & Socket: 1 = 316 St. Steel 3 = Monel	Mounting: A = Bottom, Direct with Wall Mount	Connection: 4 = 1/4" NPT 2 = 1/2" NPT	Range Code: See Page 15 for Range Codes Available Ranges: Vacuum, compound, and 15 psi to 20,000 psi	Filling: D = Dry (Fillable) G = Glycerine S = Silicone F = Inert Fill (Special Gaskets Req'd)
				Options: • Custom / Logo Dials • Restrictor Screw • Chemical Seals	<ul style="list-style-type: none"> • Plastic Lens • Laminated Safety Glass • Flush Mounting Ring • Electric Contacts 	