

REOTEMP Instrument Corporation TRANS-P LINE



Pressure Transmitters and Accessories

Quality Instruments from the Service Leader



Quality, Reliability, and Service are the common denominators in all REO TEMP instruments. You get the same commitment to absolute reliability and total customer satisfaction in our TRANS-P line of pressure transmitters and indicators.

Our ISO 9000 quality certification reflects our total commitment to providing products and service that exceed customer expectations with every customer contact, and every REO TEMP product shipped.

Thank you for choosing REO TEMP Pressure Transmitters - we are proud to serve you!

- *Your REO TEMP customer support staff*

REO TEMP TRANS-P LINE Pressure Transmitters and Transducers * all convert applied pressure to an electrical signal that can be interpreted by a computer or other interpretive device, where it can be used to display or control a process variable.

Output: Reotemp transmitters produce either a 4-20 mA signal (the most common output), or a variety of voltage outputs, such as 1-5 VDC and 0-10 VDC (3 wire).

Sensors: Piezoresistive diffused semiconductor technology is used for pressures up to 300 psi. For higher pressures (up to 60,000 psi), sputtered thin film technology is used. These sensors are exceptionally stable, shock resistant, and durable. Our piezoresistive and thin-film sensors are made with no epoxies or bonding agents, virtually eliminating signal instability or drift.

Unit Integrity: Sensor durability, along with mechanical integrity of the stainless case and all-welded process connection, produce a rugged instrument designed to provide consistent performance under severe industrial conditions.

Accuracy: Accuracies from 0.5% to 0.025% are available. Each unit is temperature compensated to provide stable accuracy over large ambient variations and long periods of time.

Ready to Go: Whether shipped alone or with a Digital Indicator, each Reotemp transmitter is inspected and calibrated prior to shipment to assure it is 100% "Ready to Go" right out of the box!

Large Transmitter Stock: Reotemp stocks many transmitter models in a large variety of ranges, mainly with 4-20 mA output, because of their popularity. See the range table on page 11 for indication of our in-stock offering.

*** Transmitter or Transducer?** "Transmitter" is often used when referring to a pressure sensor with variable current (mA) output, whereas "Transducer" usually implies voltage output. For simplicity, we use the term "transmitter" for all sensors offered in this catalog.

Trademarks: These non-Reotemp trademarks are used in this catalog, and are the property of their respective owners: Teflon®, Iso-ring®, Tri-Clamp®, In-line Seal®, Hastelloy®, Neobee®, Hirschmann®.

Table of Contents

General Information	p. 2	Diaphragm Seals,	
Series TG General purpose Industrial Transmitters ...	p. 3	Snubbers,	
Series TH Heavy-duty, High Accuracy Transmitters .	p. 4	Series TT Switch/Display	p. 10
Series TX Intrinsically Safe Transmitters	p. 5	Table of Pressure Ranges	
Series TS Submersible Liquid Level Transmitters	p. 6	General Specifications	
Series TM OEM Transmitters	p. 7	Wiring Diagrams	p. 11
Series THS 3-A Sanitary Transmitters	p. 8	Other REO TEMP Transmitters	p. 12
DM series Digital Indicators/ Power Supplies	p. 9		



GENERAL PURPOSE TRANSMITTERS

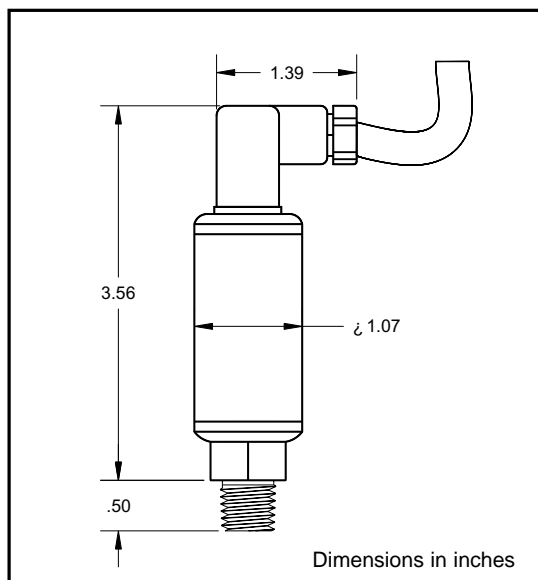
SERIES TG

- 0.5% or 0.25% accuracy, for general industrial use
- All-stainless welded body and wetted parts
- 4-20 mA or Voltage Output
- Rugged, with protection from shock, over-range, & over-voltage. Internals potted in silicone gel.
- Internal zero & span adjustments
- Compatible with Reotemp DM series Digital Indicators
- 100% inspected, "Ready-to-go" out of the box



Applications:
 Process control, engine testing, hydraulics, injection molding, stamping presses, machine controls, most general industrial pressure applications.

TG series transmitters are compatible with Reotemp DM series digital indicators (p.9). Each Reotemp transmitter is inspected and calibrated prior to shipment, to ensure it is 100% "Ready-to-Go" right out of the box!



Specifications: (Also see General specs, page 11)

Output Signal: 4-20 mA, 2 wire (std)
 0-5 V, 0-10 V, 1-6 V, or 1-11 VDC (3 wire)

Pressure Ranges: Vacuum, compound, pressure to 15000PSI; gauge and absolute

Proof Pressure: 0-5, 0-10, and 0-7500 thru 0-15000PSI: 1.5 x range
 0-15 thru 0-6000PSI: 2 x range

Burst Pressure: 0-5, 0-10, and 0-7500 thru 0-15000PSI: 2 x range
 0-15 thru 0-6000PSI: 5 x range

Accuracy (BFSL): +/- 0.5% of span (standard)
 (incl. repeatability, hysteresis, and linearity): +/- 0.25% of span (optional)

Adjustment: +/- 5% full scale, zero & span

Input: 12-30 VDC (for current output)
 14-30 VDC (for voltage output)

Temperature: Compensated: +32 to 175 deg F
 Effect: +/- 0.02% of span / deg F
 Media: -22 to 212°F (-30/100C)
 Ambient: -40 to 185°F (-40 to 85°C)

HOW TO ORDER



TG1 = General Purpose Transmitter	Range: SEE PAGE 11 FOR RANGE CODES Vacuum, Compound, Pressure 0/5psi to 0/15,000psi	Accuracy: 1 = +/-0.5% Full Scale (std) 2 = +/-0.25% Full Scale	Output Signal: A = 4-20mA, (2 wire) (std) B = 0-5 VDC, 3 wire D = 1-6 VDC, 3 wire E = 0-10 VDC, 3 wire F = 1-11 VDC, 3 wire	Process Connection: 4 = 1/4" NPT (Male) 7 = 7/16-20UNF Male (SAE J-514)	Electrical Connection: A = Mini-Hirschmann (w/36" cable) B = Mini-Hirschmann (no cable) E = 4 pin Bendix F = 6 pin Bendix	Options: 1 = Threaded Orifice (SS, M3.5) 2 = Restrictor Screw S = Snubber (Diaphragm Seals available - p. 10)
---	--	---	---	--	--	---

SERIES TH

REOTEMP PRESSURE TRANSMITTERS

HEAVY DUTY, HIGH ACCURACY TRANSMITTERS



- Heavy-duty, 0.25% or 0.1% accuracy
- Standard Internal, or Flush diaphragm
- All-stainless welded Body and Wetted Parts
- Very low to very high Pressure Ranges
- Engineered for high stability, shock resistance, and durability - (internal electronics potted in silicone gel.)
- Internal zero & span adjustments
- 4-20 mA, or choice of several voltage outputs

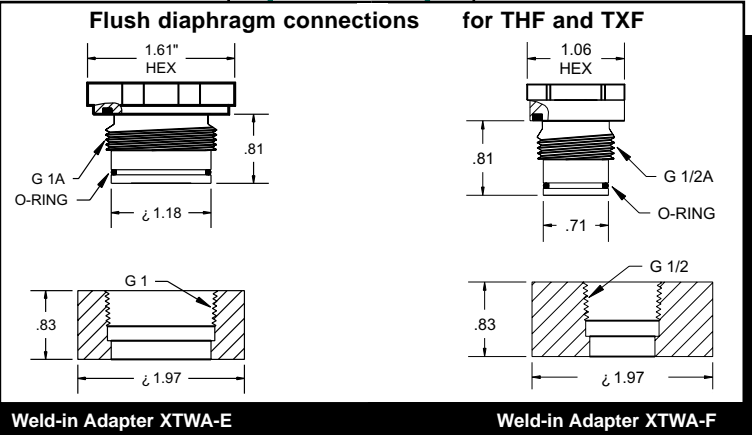
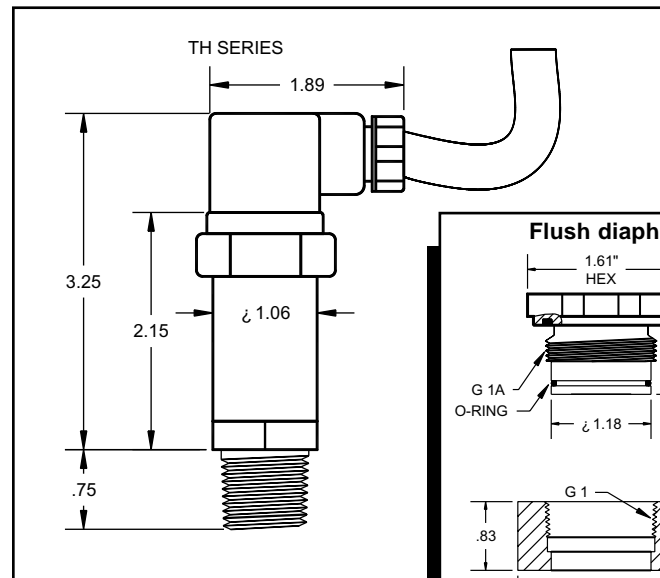
Applications:

Process control, hydraulics, lab or test, where higher performance is needed. Model THF with flush diaphragm is suitable for measurement of slurries or viscous media.

TH series transmitters are compatible with Reotemp DM series digital indicators (p.9). Each Reotemp transmitter is inspected and calibrated prior to shipment, to ensure it is 100% "Ready-to-Go" right out of the box!

Specifications: (Also see General specs, page 11)

Output Signal:	4-20 mA, 2 wire (std) 0-5 VDC, or 1-10 VDC (3 wire)
Pressure Ranges:	Vacuum, compound, pressure to 60,000 PSI; gauge and absolute
Proof Pressure:	0-2 thru 0-7500PSI: 2 x range 0-10,000PSI: 1.5 x range
Burst Pressure:	0-15,000 thru 0-60,000PSI: 1.2 x range 0-10,000 thru 0-60,000PSI: 2 x range
Accuracy (BFSL): (incl. repeatability, hysteresis, and linearity):	+/- 0.25% of span (standard) +/- 0.1% of span (optional)
Adjustment:	+/- 5% full scale, zero & span
Input:	10-30 VDC (for current output) 14-30 VDC (for voltage output)
Temperature:	Compensated: +32 to 175°F (0/80°C) Effect: +/- 0.01% of span / deg F (on zero and span) Media: -20 to 212°F (-30/100°C) Ambient: -15 to 175°F (-10 to 80°C)



HOW TO ORDER

TH — 1 — P20 — 2 — A — 4 — C

TH1 = High-Accuracy Transmitter (std internal diaphragm)	Range: SEE PAGE 11 FOR RANGE CODES Vacuum, Compound, Pressure: 0/55INWC...to 60,000psi (TH1) 0/55INWC...to 7,500psi (THF)	Accuracy: 2 = +/-0.25% Full Scale (std) 3 = +/-0.1% Full Scale	Output Signal: A = 4-20mA, 2 wire (std) B = 0-5 VDC, 3 wire E = 0-10 VDC, 3 wire	Process Connection TH1: 2 = 1/2" NPT (std) 4 = 1/4" NPT 9 = 9/16-18 aminco (std on 30,000 to 60,000 psi) THF: E = G1/2A w/flush(>=50psi) F = G1A w/flush(<50psi)	Electrical Connection: C = Hirschmann (w/36" cable) D = Hirschmann (DIN 43650) F = 6 pin Bendix J = 1/2" NPT conduit (w/36" cable) N = 1/2" NPTF ISO 4400 flex conduit conn.	Options: 1 = Threaded Orifice (SS, M3.5) 2 = Restrictor Screw Weld-in adapters for G1, G1/2 Diaphragm Seals, Snubbers - p.10
---	---	---	--	--	--	---

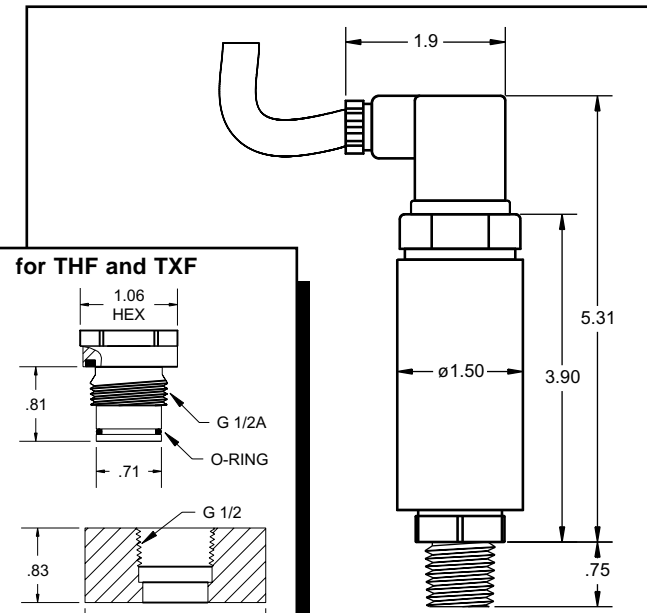
REOTEMP TRANS-P LINE

INTRINSICALLY SAFE TRANSMITTERS

- Intrinsically safe for Hazardous Environments
- Heavy-duty, 0.25% or 0.1% accuracy
- Standard Internal or Flush diaphragm
- Very low to very high Pressure Ranges
- Internal zero & span adjustments
- All-stainless welded Body and Wetted Parts
- Shock-proof - internals potted in epoxy

Applications:

Petrochemicals, chemicals, and other hazardous applications requiring Class I, Division I protection.



TX series transmitters are compatible with Reotemp DM series digital indicators (p.9). Each Reotemp transmitter is inspected and calibrated prior to shipment, to ensure it is 100% "Ready-to-Go" right out of the box!

Specifications: (Also see General specs, page 11)

Approvals:	FM, CSA, CENELEC, BASEEFA, and PTB approved for Class I, II, III; Division 1, groups A, B, C, D, E, F, G. Nonincendive for Class I, Div 2, Groups A, B, C, D.
Output Signal:	4-20 mA, 2 wire
Pressure Ranges:	Vacuum, compound, pressure to 15000PSI; gauge and absolute
Proof Pressure:	0-2, 0-5, 0-10, and 0-7500 thru 0-15000PSI: 1.5 x range 0-15 thru 0-6000PSI: 2 x range
Burst Pressure:	0-2, 0-5, 0-10, and 0-7500 thru 0-15000PSI: 2 x range 0-15 thru 0-6000PSI: 5 x range
Accuracy (BFSL): (incl. repeatability, hysteresis, and linearity):	+/- 0.25% of span (standard) +/- 0.1% of span (optional)
Adjustment:	+/- 5% full scale, zero & span
Input:	11-28 VDC
Temperature:	Compensated: +32 to 175°F (0/80°C) Effect: +/- 0.01% of span / deg F (on zero and span) Media: -5 to 120°F (-20/50°C) Ambient: -5 to 120°F (-20/50°C)

HOW TO ORDER

TX — 1 — P20 — 2 — A — 4 — C — 2

TX1 = Intrinsically Safe transmitter (std internal diaphragm)	Range: SEE PAGE 11 FOR RANGE CODES Vacuum, Compound, Pressure 0/55INWC...to 30,000psi (TX1) 0/55INWC...to 7,500psi (TXF)	Accuracy: 2 = +/-0.25% Full Scale (std) 3 = +/-0.1% Full Scale	Output Signal: A = 4-20mA, 2 wire	Process Connection TX1: 4 = 1/4" NPT 2 = 1/2" NPT (std) TXF: E = G1/2A w/flush(>=50psi) F = G1A w/flush(<50psi)	Electrical Connection: C = Hirschmann (w/36" cable) D = Hirschmann (DIN 43650) N = 1/2" NPTF ISO 4400 flex conduit conn.	Options: 1 = Threaded Orifice (SS, M3.5) 2 = Restrictor Screw Weld-in adapters for G1, G1/2 Diaphragm Seals, Snubbers - p.10
--	--	---	---	--	--	---



REOTEMP INSTRUMENT CORPORATION

Telephone: (800) 648-7737 FAX (858) 784-0720 • sales@reotemp.com • www.reotemp.com

Quality Instruments from the Service Leader

SERIES TS

SUBMERSIBLE, LIQUID-LEVEL TRANSMITTERS



- Accurate Level Measurements from 5" WC to 300 psi
- 316 Stainless Steel and Polyurethane wetted parts
- 0.25% or 0.1% accuracy
- Vented, Strong Submersible Cable
- Lightning, short circuit, reverse polarity protection
- NEMA 6/IP68 protection, submersible to 1000 ft.

TS series transmitters are compatible with Reotemp DM series digital indicators (p.9). Each Reotemp transmitter is inspected and calibrated prior to shipment, to ensure it is 100% "Ready-to-Go" right out of the box!

Applications:

Tank level, well level; municipal and industrial applications requiring watertight protection.

Specifications: (Also see General specs, page 11)

Output Signal: 4-20 mA, 2 wire
0-5 VDC, 0-10 VDC, or 0.5-2.5 VDC (3 wire)

Pressure Ranges: 0-2PSI thru 0-300PSI

Proof Pressure: 2 x range

Burst Pressure: 4 x range

Accuracy (BFSL): +/- 0.25% of span (standard)
(incl. repeatability, hysteresis, and linearity): +/- 0.1% of span (optional)

Input: 12-30 VDC (for current output)
14-30 VDC (for VDC output)
6 VDC (for 0.5 to 2.5VDC output)

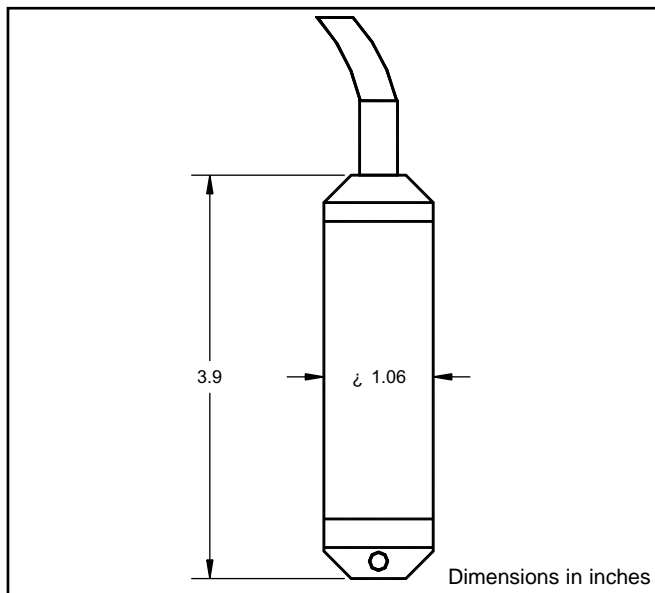
Temperature: Compensated: +32 to 122°F (0/50°C)
Effect: +/- 0.01% of span / deg F (on zero and span)
Media: -14 to 175°F (-10/80C)

Environmental Protection: NEMA 6, IP68 (submersible to 1,000 ft.)

Electrical Protection: Reverse polarity, short circuit, and lightning protection.

Submersible Cable: Vented, watertight, polyurethane jacketed.
Tensile strength: maximum 220 pounds

Wetted Parts: Body – 316 & 304 stainless
Cable – polyurethane
Nose cone – Polyamide



HOW TO ORDER

TS — **1** — **P20** — **2** — **A** — **N** — **S** — **50**

TS1 = Submersible Liquid Level Transmitter	Range: SEE PAGE 11 FOR RANGE CODES Pressure RANGES: 0/55INWC...to 0/300 psi	Accuracy: 2 = +/-0.25% Full Scale (std) 3 = +/-0.1% Full Scale (optional)	Output Signal: A = 4-20mA, (2 wire) (Std) B = 0-5 VDC, 3 wire E = 0-10 VDC, 3 wire H = 0.5-2.5 VDC, 3 wire	Process Connection: N = Nose Cone (std) W = Nose Cone w/added weight	Electrical Connection: S = Submersible cable	Cable Length: Specify length in feet
--	---	--	---	---	---	--

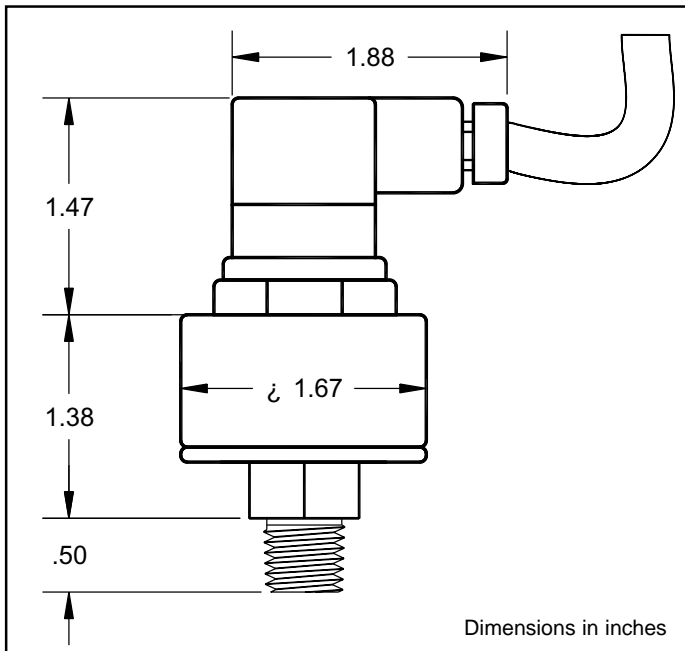
OEM TRANSMITTERS

SERIES TM

- Reliable, Economical, 0.5% accuracy
- Shock Resistant, High over-range Protection
- 4-20 mA or voltage output
- All-stainless Body and Wetted Parts

Applications:

Hydraulics, refrigeration, robotics, machine controls; industrial or OEM applications where performance, reliability, and value are needed.

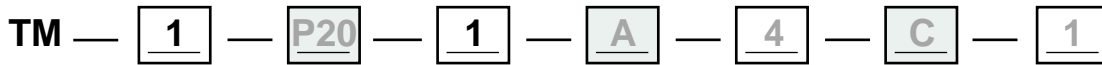


TM series transmitters are compatible with Reotemp DM series digital indicators (p.9). Each Reotemp transmitter is inspected and calibrated prior to shipment, to ensure it is 100% "Ready-to-Go" right out of the box!

Specifications: (Also see General specs, page 11)

- Output Signal:** 4-20 mA, 2 wire (std)
0-10 VDC (3 wire)
- Pressure Ranges:** Vacuum, compound, pressure to 15,000PSI; gauge and absolute
- Proof Pressure:** 0-15 thru 0-150PSI: 3.5 x range
0-200 thru 0-6000PSI: 2 x range
0-7500 thru 0-15,000PSI: 1.5 x range
- Burst Pressure:** 0-15 thru 0-150PSI: 5 x range
0-200 thru 0-6000PSI: 5 x range
0-7500 thru 0-15,000PSI: 2 x range
- Accuracy (BFSL):** (incl. repeatability, hysteresis, and linearity): +/- 0.5% of span
- Input:** 10-30 VDC (for current output)
14-30 VDC (for voltage output)
- Temperature:** Compensated: +32 to 175 deg F
Effect: +/- 0.02% of span / deg F (on zero and span)
Media: -22 to 212°F (-30/100°C)
Ambient: -22 to 175°F (-30/80°C)
- Certifications:** CE

HOW TO ORDER



<p>TM1 = Heavy Duty OEM Transmitter</p>	<p>Range: SEE PAGE 11 FOR RANGE CODES</p> <p>Vacuum, Compound, Pressure 0/5psi to 0/15,000psi</p>	<p>Accuracy: 1 = +/-0.5% Full Scale</p>	<p>Output Signal: A = 4-20mA, (2 wire) (Std) E = 0-10 VDC, 3 wire</p>	<p>Process Connection: 4 = 1/4" NPT (std) 8 = 1/8" NPT male</p>	<p>Electrical Connection: C = Hirschmann (w/36" cable) D = Hirschmann (DIN 43650)</p>	<p>Options: 1 = Threaded Orifice (SS, M3.5) 2 = Restrictor Screw Diaphragm Seals, Snubbers - see p.10.</p>
--	--	--	--	--	--	---

SERIES THS

3A SANITARY TRANSMITTERS



- 3A, Tri-clamp Sanitary Connection
- 316 Stainless Wetted Parts
- Designed for "Clean-in-place" and "Sterilize-in-place" procedures
- Media temperatures to 250F (121C)
- Internal zero & span adjustments

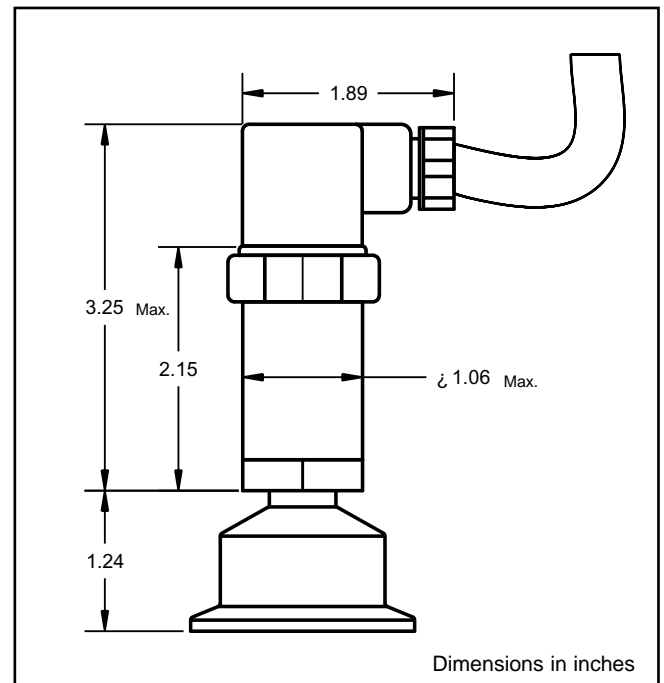
Applications:

Food, dairy, pharmaceutical, beverage, biotech.

THS series transmitters are compatible with Reotemp DM series digital indicators (p.9). Each Reotemp transmitter is inspected and calibrated prior to shipment, to ensure it is 100% "Ready-to-Go" right out of the box!

Specifications: (Also see General specs, page 11)

Output Signal:	4-20 mA, 2 wire (std) 1-5 VDC, 1-6 VDC, or 1-11 VDC (3 wire)
Pressure Ranges:	Vacuum, compound, pressure 0/2 to 0/1000 PSI gauge and absolute
Proof Pressure:	2 x range
Burst Pressure:	4 x range
Accuracy (BFSL):	+/- 0.5% of span (standard) +/- 0.25% of span (optional)
Adjustment:	+/- 5% full scale, zero & span
Input:	10-30 VDC (for current output) 14-30 VDC (for voltage output)
Temperature:	Compensated: +32 to 175°F (0/80°C) Effect: +/- 0.1% of span / 10°C (on zero of span) or +/- 0.07psi/ 10°C (greater of) Media: 0 to 250°F (-20/121°C) Ambient: -15 to 175°F (-10 to 80°C)



HOW TO ORDER

THS — **P20** — **1** — **A** — **T** — **C** — **G**

THS = Sanitary Transmitter	Range: SEE PAGE 11 FOR RANGE CODES Vacuum, Compound, Pressure RANGES: 0/5psi to 0/1,000psi	Accuracy: 1 = +/-0.5% Full Scale 2 = +/-0.25% Full Scale	Output Signal: A = 4-20mA, (2 wire) (Std) C = 1-5 VDC, 3 wire D = 1-6 VDC, 3 wire F = 1-11 VDC, 3 wire	Process Connection: T = 1.5" Triclamp R = 2" Triclamp P = 2.5" Triclamp L = 2" Cherry-Burrell "I"-line (other connections available)	Electrical Connection: C = Hirschmann (w/36" cable) D = Hirschmann (STD) (DIN 43650) F = 6 pin Bendix J = 1/2" NPT conduit (w/36" cable)	Fill Fluid: G = Glycerin (std) S = Silicone N = Neobee M-20 H = Halogenated inert fluid V = Vegetable oil
--------------------------------------	---	---	---	--	---	--



DIGITAL INDICATORS
POWER SUPPLY

SERIES DM

- Built-in Transmitter Power Supply.
- 4-20 mA or voltage input (optional- Thermocouple or RTD.)
- Factory Scaled and Calibrated to your specs - "Ready-to-Go"
- Advanced technology for drift-free readout
- Max and Min Memory.
- Easy Menu-driven Programming, with lockout.
- NEMA 4X/IP65 sealed front bezel.
- 4 1/2 Digit display (-19,999 to 99,999)
- Optional 4-20 mA, Voltage, Relay, RS-232 Output, or Modbus



HOW TO ORDER

Specify Model + Options
(example DM31-A1)

Model	Input
DM31	4-20mA (std)
DM32	Voltage (specify)
DM38	Thermocouple (specify)
DM39	RTD (specify)

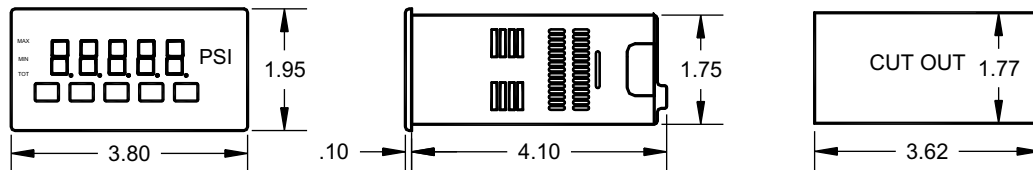
Options	
Code	Description
00	No options
A1	Analog Output (4-20 mA or 0-10VDC)
R2	Relay Output (2 relays, form C, 5A @ 240VAC)
R3	Relay output (4 relays, form A, 3A @ 250VAC)
D1	RS-232 Output
D2	Modbus Output
D3	Profibus Output (coming in 2001)
E1	Enclosure, NEMA 4
E2	Units Label Kit

REOTEMP will calibrate the indicator to your transmitter and scale it to your specs. Just tell us how you want it, and it will arrive "Ready-to-Go."

DM3 - Specifications:

- Display:** 4 1/2 digit, 0.56" red LED (-19999 to +99,999)
- Power:** 85 to 250 VAC, 50/60 Hz, 15 VA (optional- 11 to 36 VDC or 24 VAC)
- Signal Input Range:** 4-20 mA DC or VDC to 300 V max.
- Accuracy:** 0.01% of span + 1 digit (18/28 deg. C, 10/75%RH)
0.04% of span + 1 digit (0/50 deg. C, 0/85%RH)
- Input Impedence:** 20 ohm @ 20 mA (500 Kohm @ 10VDC)
- Update rate:** 1 to 10 updates/sec. (programmable)
- Excitation power:** 24 VDC, +/- 5%, regulated, 50 mA max
- Environmental Conditions:** Operating, 0/50 deg. C
Storage: -40/60 deg. C
- Certifications:** Electromagnetic Immunity to EN 50082-2
Electromagnetic Emissions to EN50081-2
- Construction:** One-piece bezel/case, rated to NEMA 4X/IP65 indoor use (when properly installed).
- Weight:** 10.4 oz. (295g)
- Optional Output:** 4-20 mA, 0-10VDC, relay, RS232, or Modbus

Note: Recommended minimum clearance (behind panel) for mounting dip installation is 2.1"H X 5.0"W.



Dimensions in inches

DIAPHRAGM SEALS

Any REOTEMP threaded TRANS-P line transmitter can be fitted with a diaphragm seal. A diaphragm seal isolates the transmitter from the process against clogging, corrosion, or abrasion. Applications include viscous or crystallizing media, corrosive media, or high temperature media. Sanitary seals are available for food, beverage, or bio/pharmaceutical applications.

REOTEMP diaphragm seals are available in a variety of choices:

- Style - Threaded, Flanged, In-Line, Sanitary, Flow Through
- Size - Mini, standard, or large diaphragm sizes
- Materials - Standard 316SS, Hastelloy, Teflon, and other standard and exotic materials
- Fill Fluids - Silicone, Glycerin, fluoro-inert fluids, and others
- Custom capillary & isolation systems

See Bulletin # DS, or contact REOTEMP, for full diaphragm seal information.



Snubbers (Ask for Lit.# SN 98)

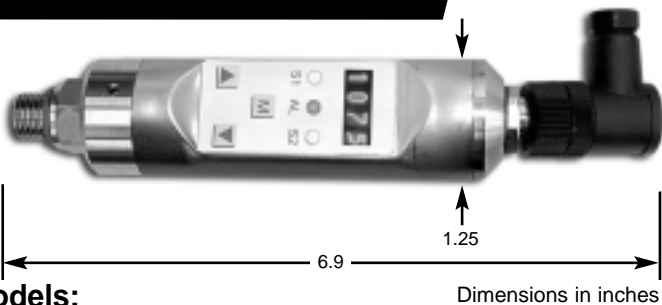


Piston - type, self cleaning. Comes with 3 pistons, for adjustable pulse dampening to prolong transmitter life. The finest snubbers available.

Part #	NPT	Max psi	Material	Length
PXS022SS	1/4"	15000	316ss	1.5"
PXS023SS	1/2"	15000	316ss	2"

SERIES TT

TRANSMITTER / SWITCH / DISPLAY



- 2 Switch points, 500mA
- Digital Display (4 digit, alphanumeric)
- 4-20 mA or 0-10VDC signal
- 316SS & Viton wetted parts

Models:

TT1 + Range + Type

Code	Range
P19	0-150 psi
P2A	0-700 psi
P30	0-1500 psi
P32	0-3000 psi
P35	0-6000 psi
P3A	0-9000 psi
P3B	0-11000 psi

Code	Type
4A7D	4-20 mA, 7/16-20 SAE male (std)
4A4D	4-20 mA, 1/4 NPT adapter
4E7D	10-20 VDC, 7/16-20 SAE male
4E4D	10-20 VDC, 1/4 NPT adapter

example: (TT1 - P19 - 4A7D)

Other Specifications:

Accuracy: +/- 0.3% of span
Proof Pressure: lesser of 1.5x, or 14,500psi
Switch: +/- 0.1% repeatability
 0-125% adjustable range
 0-9.9 sec time delay (programmable)
Input: 18-32 VDC supply, 50 mA @ 24 VDC
Process Connection: 7/16-20 SAE #4 or 1/4 NPT
Electrical connection: 5 pin Hirschmann style
Temperatures: Media, -13/212 F
Operating: 14/160F; Storage, -22/176F



General Specifications

For Reotemp Pressure Transmitters shown on pp 3-8. (See specific specs on each product page.)

Wetted Parts: 316SS (ranges under 400 psi). Hi press. Ranges, 17-4 PH SS diaphragm and 300 series SS pressure chamber

Repeatability: 0.05% of scale (model TM, 0.2%)

Hysteresis: 0.1% full scale

Stability: 0.2% full-scale (model TM, 0.5%)

Response time: < 1 ms (between 10-90% of scale). [Model TM, <5 ms]

Operating Life: 100 million cycles

Electromagnetic 4-2 ESD Level 2

Capability Per 4-3 Fields (RFI) Level 2

IEC 1000 (EN50081, 4-4 Burst Level 3

EN50082): 4-5 Surge Level 2

Electrical Protection: Reverse Polarity, over voltage, and short circuit protection

Shock: Less than +/- 0.05% full scale effect for 1000 g's @ 2ms on any axis (model TM: 600 g's)

Vibration: Less than +/- 0.01% full scale effect for 15 g's @ 0-2000 Hz on any axis (Model TG: less than 0.05% full scale effect for 20 g's @ 5-2000 Hz on any axis.)

Temperature Range for Storage: -40 to 212 degrees F (series 612, -22 to 175 degrees F).

Environmental protection: NEMA 4x (DIN IP65) (series TS, NEMA 6, IP68)

Compliance & CE

Proof Pressure and Burst Pressure can be found for individual models on product pages.

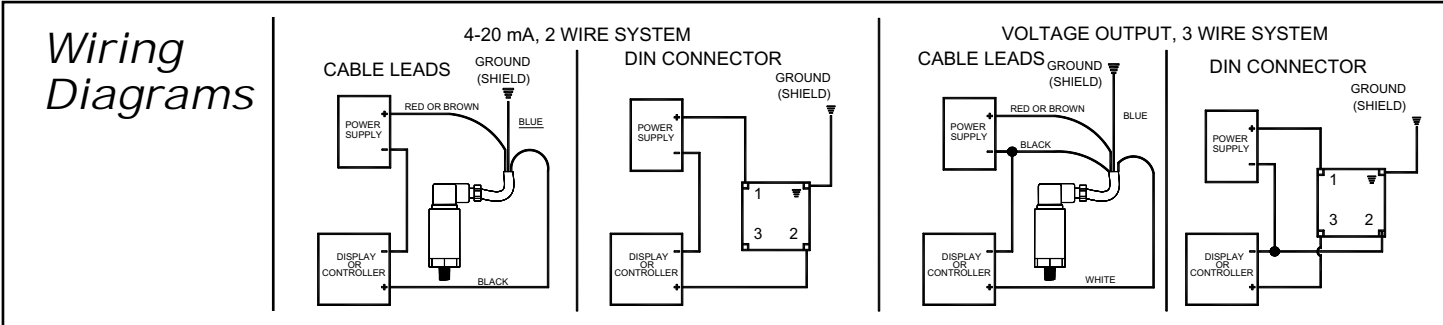
At **Proof Pressure**, zero and span may shift but no permanent damage has occurred.

At **Burst Pressure**, permanent, non-recoverable damage may occur.

	TYPE	TG				TH1	TX1	THF &	TS	THS	TM	
Code	Range	General Purpose				Intrins.	TXF	Submer-	Sanitary	OEM		
Output signal		4-20mA	0-5V	0-10V	1-11V	Hi-Acc	Safe	Flush Diap.	sible	3-A	4-20mA	0-10VDC
Std. Process Connection		1/4NPT	1/4NPT	1/2NPT	1/2NPT	G1A, 1/2A	Nose	Triclamp	1/4"NPT			
Vacuum												
P01	-30"Hg VAC	Y	Y	Y	Y	Y	Y	Y	Y			
Compound Ranges												
P02	-30/0/15 psi	Y	Y	Y	Y	Y	Y	Y	Y			
P03	-30/0/30 psi	Y	Y	Y	Y	Y	Y	Y	Y			
P04	-30/0/60 psi	Y	Y	Y	Y	Y	Y	Y	Y			
P05	-30/0/100 psi	Y	Y	Y	Y	Y	Y	Y	Y			
P06	-30/0/150 psi	Y	Y	Y	Y	Y	Y	Y	Y			
P07	-30/0/200 psi	Y	Y	Y	Y	Y	Y	Y	Y			
P08	-30/0/300 psi	Y	Y	Y	Y	Y	Y	Y	Y			
Pressure Ranges												
L11	0-55 INWC	Y				Y	Y	Y	Y	Y		
L12	0-80 INWC	Y				Y	Y	Y	Y	Y		
L13	0-140 INWC	Y	Y	Y	Y	Y	Y	Y	Y	Y		
L14	0-280 INWC	Y	Y	Y	Y	Y	Y	Y	Y	Y		
P11	0-2 psi	Y				Y	Y	Y	Y	Y		
P12	0-3 psi	Y				Y	Y	Y	Y	Y		
P13	0-5 psi	Y	Y	Y	Y	Y	Y	Y	Y	Y		
P14	0/10 psi	Y	Y	Y	Y	Y	Y	Y	Y	Y		
P15	0/15 psi	Y	Y	Y	Y	Y	Y	Y	Y	Y	Y	Y
P1B	0/25 psi	Y	Y	Y	Y	Y	Y	Y	Y	Y	Y	Y
P16	0/30/ psi	Y	Y	Y	Y	Y	Y	Y	Y	Y	Y	Y
P17	0/60 psi	Y	Y	Y	Y	Y	Y	Y	Y	Y	Y	Y
P18	0/100 psi	Y	Y	Y	Y	Y	Y	Y	Y	Y	Y	Y
P19	0/150 psi	Y	Y	Y	Y	Y	Y	Y	Y	Y	Y	Y
P20	0/200 psi	Y	Y	Y	Y	Y	Y	Y	Y	Y	Y	Y
P21	0/300 psi	Y	Y	Y	Y	Y	Y	Y	Y	Y	Y	Y
P26	0/500 psi	Y	Y	Y	Y	Y	Y	Y	Y	Y	Y	Y
P23	0/600 psi	Y	Y	Y	Y	Y	Y	Y	Y	Y	Y	Y
P27	0/750 psi	Y	Y	Y	Y	Y	Y	Y	Y	Y	Y	Y
P25	0/1000 psi	Y	Y	Y	Y	Y	Y	Y	Y	Y	Y	Y
P30	0/1500 psi	Y	Y	Y	Y	Y	Y	Y	Y	Y	Y	Y
P31	0/2000 psi	Y	Y	Y	Y	Y	Y	Y	Y	Y	Y	Y
P32	0/3000 psi	Y	Y	Y	Y	Y	Y	Y	Y	Y	Y	Y
P33	0/4000 psi	Y	Y	Y	Y	Y	Y	Y	Y	Y	Y	Y
P34	0/5000 psi	Y	Y	Y	Y	Y	Y	Y	Y	Y	Y	Y
P35	0/6000 psi	Y	Y	Y	Y	Y	Y	Y	Y	Y	Y	Y
P28	0/7500psi	Y	Y	Y	Y	Y	Y	Y	Y	Y	Y	Y
P37	0/10000 psi	Y	Y	Y	Y	Y	Y	Y	Y	Y	Y	Y
P38	0/15000 psi	Y	Y	Y	Y	Y	Y	Y	Y	Y	Y	Y
P39	0/20000 psi					Y						
P40	0/30000 psi					Y						
P41	0/40000 psi					Y						
P42	0/50000 psi					Y						
P43	0/60000psi					Y						
Absolute Pressure Ranges												
A15	0/15 psia	Y	Y	Y	Y	Y	Y	Y	Y	Y		
A16	0/30 psia	Y	Y	Y	Y	Y	Y	Y	Y	Y		
A17	0/60 psia	Y	Y	Y	Y	Y	Y	Y	Y	Y		
A18	0/100 psia	Y	Y	Y	Y	Y	Y	Y	Y	Y		
A19	0/150 psia	Y	Y	Y	Y	Y	Y	Y	Y	Y		
A20	0/200 psia	Y	Y	Y	Y	Y	Y	Y	Y	Y		
A21	0/300 psia	Y	Y	Y	Y	Y	Y	Y	Y	Y		

Standard, in-stock ranges (for 4-20ma) are shaded (Subject to availability - May be changed without notice)

Y = Available Y = normally in stock = N/A



Other REOTEMP Pressure Transmitters Available



MODEL TD

Differential Pressure

- Wet-wet, all welded St. Steel
- 0.5% or 0.25% accuracy
- Differential ranges 0/30 psid to 0/1000psid

MODEL TP

Very High Pressure

- Pressure to 150,000psi
- Bonded foil sensor
- Autoclave pressure port



MODEL TC

High Purity Gas Pressure Transmitters

- Highly polished 316 SS
- 0.3 micrometer finish
- VCR or NPT fittings

MODEL TA

Very High Accuracy

- .05% or .025% Accuracy
- RS-232 Output Connection Available
- Communication software included



Other REOTEMP Pressure Products:



Diaphragm Seals
Lit. #DS



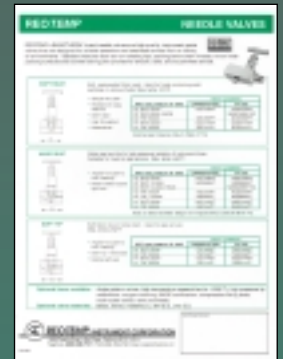
Snubbers
Lit. #SN



Pressure Gauges
Lit. #PG.00



Sanitary Gauges
Lit. #SG



Needle Valves
Lit. #NV

WARRANTY

REOTEMP Instrument Corp. warrants all TRANS-P line transmitters against defective workmanship or materials under normal use and service for three years following date of shipment (for transmitters) and one year (for series DM indicators.) Reotemp's liability is limited to repair or replacement at the factory, shipping charges prepaid.

This warranty does not cover deterioration from normal wear and tear, chemical or environmental corrosion, exposure to temperatures, pressures, or vibration beyond those recommended, or forces or abrasion which cause deformation of component parts.

This warranty is expressly in lieu of any other warranty, expressed or implied. Reotemp shall not be liable for any direct or consequential damages arising out of any defects or from any cause whatsoever.

All product designs and specifications are subject to change without notice.

DISTRIBUTED BY:



REOTEMP INSTRUMENT CORPORATION

10656 Roselle Street • San Diego, CA 92121 U.S.A
Telephone: (858) 784-0710 • FAX (858) 784-0720 • 800-648-7737
E-Mail: reotemp@reotemp.com • Website: www.reotemp.com